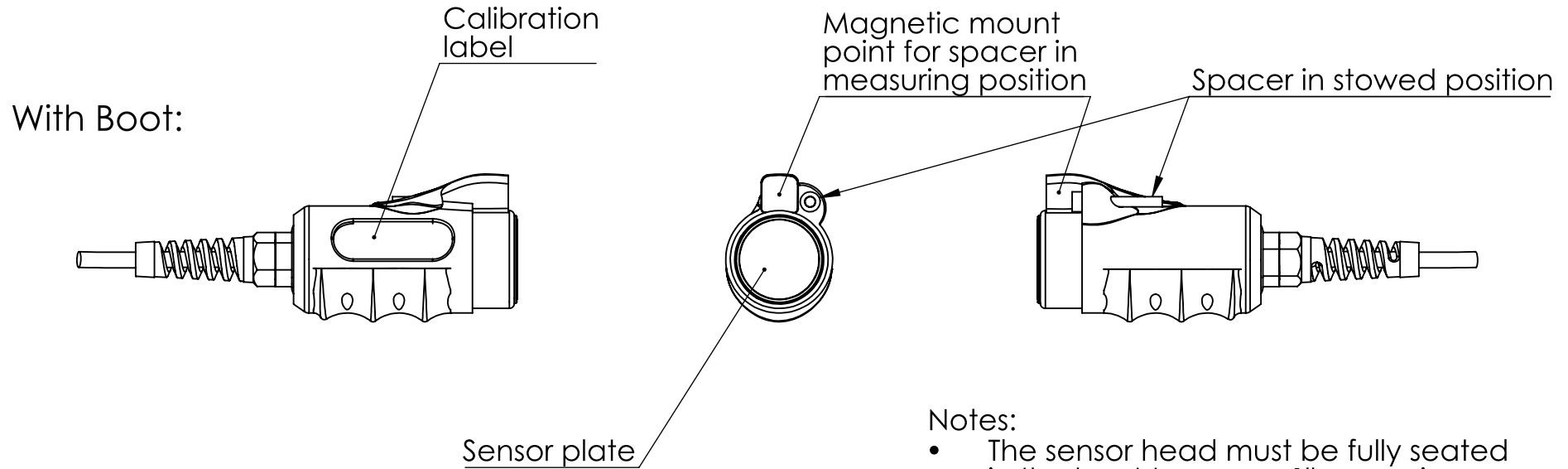


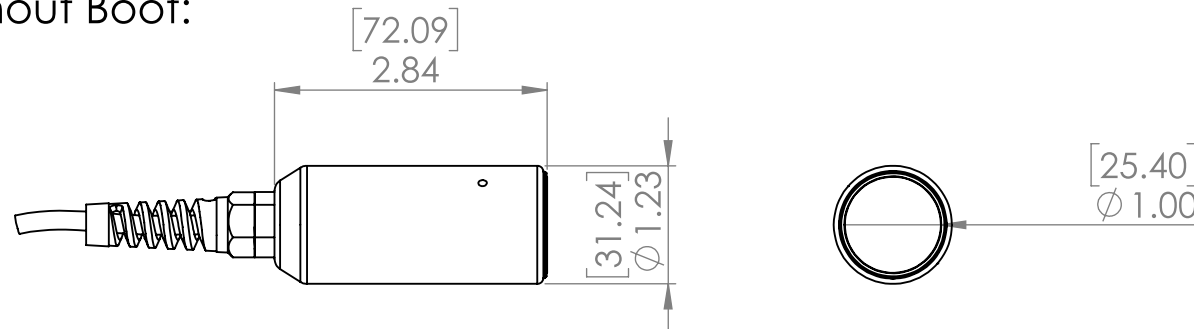
ES3 Sensor Schematic: SES (Static Electricity Sensor)



Notes:

- The sensor head must be fully seated in the boot to ensure 1" space is accurate.
- No objects should be in front of or near the sensor plate unless being measured (they will interfere with measurements).

Without Boot:



TITLE:	Static Electricity Sensor (ES3 Sensor)	
DWG NO.	SES	
REVISION	1	